



## Technical data sheet

### Temperature sensor NTC-4

#### FUNCTIONS:

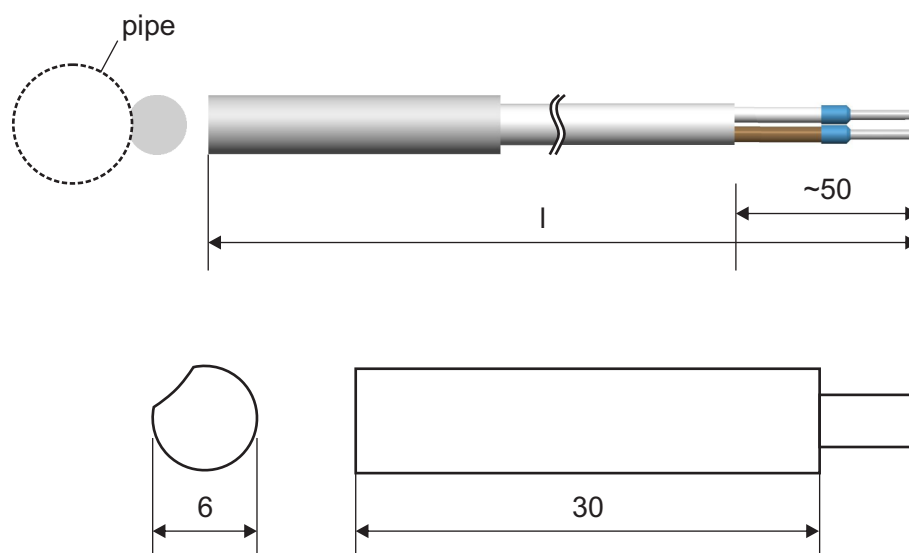
- Temperature measuring

#### FEATURES:

- Simple mounting
- Cable: 2x0,35 mm<sup>2</sup>
- Insulation: Thermoplastic Halogen-free compound Ti7 EN 50363-7 - VDE 0207-363-7
- Jacket: Flame retardance IEC 60332.3A - VDE 0482-332-3
- Standards: DIN VDE 0812 - DIN VDE 60228 class 5 - DIN 47100 - IEC 60332.3A - VDE 0482-332-3
- Cup:
  - material PA6

#### TECHNICAL DATA:

- RIT lable: EPCOS B57891
- Operating temperature: from -40 to 80°C
- Max. power at 25 °C: 200mW
- Rated temperature: 25°C
- Rated resistance: 10kΩ ±5%
- Standard cable length: 4m, 7m,...



NOTE: Dimension are in millimeters



Symbolic picture



<b>B57891M0103J000</b>						
R/T No.	4901					
T (°C)	B <sub>25/100</sub> = 3950 K, R <sub>25</sub> = 10000 Ω, T <sub>R</sub> = 25 °C, ΔR <sub>R</sub> /R <sub>R</sub> = 5%					
	R <sub>nom</sub> [Ω]	R <sub>min</sub> [Ω]	R <sub>max</sub> [Ω]	ΔR <sub>R</sub> /R <sub>R</sub> [%]	ΔT[°C]	α (%/K)
55.0	878900	706410	1051400	19.6	2.8	7.1
50.0	617590	503900	731280	18.4	2.7	6.9
45.0	439340	363580	515100	17.2	2.6	6.7
40.0	316180	265180	367180	16.1	2.5	6.5
35.0	230060	195410	264720	15.1	2.4	6.3
30.0	169150	145400	192900	14.0	2.3	6.1
25.0	125550	109150	141940	13.1	2.2	5.9
20.0	94143	82738	105550	12.1	2.1	5.7
15.0	71172	63195	79150	11.2	2.0	5.5
10.0	54308	48695	59922	10.3	1.9	5.4
5.0	41505	37563	45446	9.5	1.8	5.2
0.0	32014	29233	34795	8.7	1.7	5.0
5.0	25011	23033	26988	7.9	1.6	4.9
10.0	19691	18282	21100	7.2	1.5	4.7
15.0	15618	14614	16622	6.4	1.4	4.6
20.0	12474	11759	13188	5.7	1.3	4.5
<b>25.0</b>	<b>10000</b>	<b>9500</b>	<b>10500</b>	<b>5.0</b>	<b>1.2</b>	<b>4.3</b>
30.0	8080	7619	8541	5.7	1.4	4.2
35.0	6569	6153	6985	6.3	1.6	4.1
40.0	5372	4998	5746	7.0	1.8	4.0
45.0	4424	4090	4757	7.5	2.0	3.9
50.0	3661	3364	3958	8.1	2.2	3.8
55.0	3039	2775	3303	8.7	2.4	3.7
60.0	2536	2302	2770	9.2	2.6	3.6
65.0	2128	1921	2336	9.8	2.8	3.5
70.0	1794	1610	1978	10.3	3.0	3.4
75.0	1518	1355	1682	10.8	3.3	3.3
80.0	1290	1145	1435	11.2	3.5	3.2
85.0	1100	971.4	1229	11.7	3.7	3.1
90.0	941.8	827.2	1056	12.2	4.0	3.1
95.0	809.0	707.0	910.9	12.6	4.2	3.0
100.0	697.2	606.3	788.1	13.0	4.5	2.9
105.0	604.0	522.7	685.3	13.5	4.7	2.9
110.0	524.9	452.1	597.7	13.9	5.0	2.8
115.0	457.3	392.1	522.6	14.3	5.2	2.7
120.0	399.6	341.1	458.2	14.7	5.5	2.7
125.0	350.6	297.9	403.3	15.0	5.8	2.6