



Technical data sheet

Temperature sensor NTC-4

FUNCTIONS:

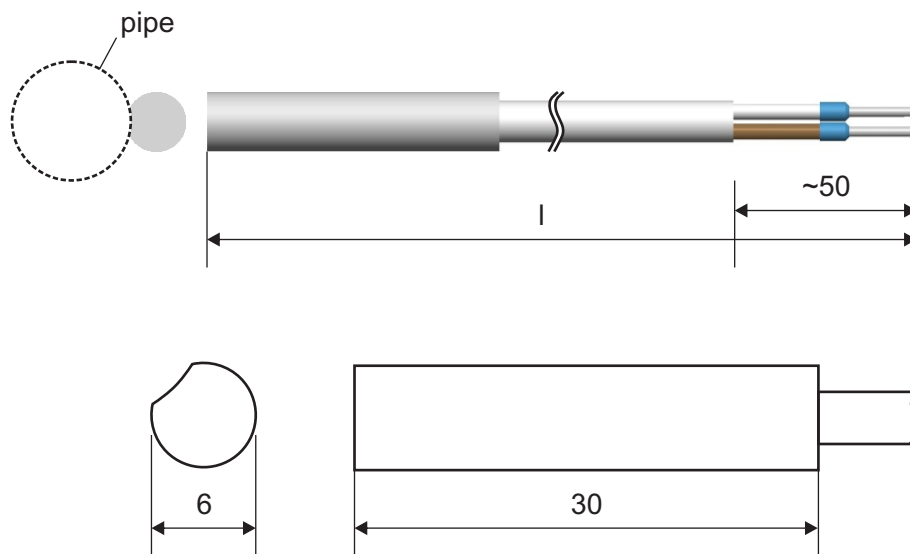
- Temperature measuring

FEATURES:

- PVC core insulation marker as per DIN 4710
- Cables 2x0,34 mm² be use as signal and control cable
- Simple mounting

TECHNICAL DATA:

- RIT lable: EPCOS B57891
- Operating temperature: from -40 to 80°C
- Max. power at 25 °C: 200mW
- Rated temperature: 25°C
- Rated resistance: 10kΩ ±5%
- Standard cable length: 4m, 7m,...



NOTE: Dimension are in millimeters



Symbolic picture



| B57891M0103J000 | | | | | | |
|------------------------|---|----------------------|----------------------|-------------------------------------|------------|------------|
| R/T No. | 4901 | | | | | |
| T (°C) | B _{25/100} = 3950 K, R ₂₅ = 10000 Ω, T _R = 25 °C, ΔR _R /R _R = 5% | | | | | |
| | R _{nom} [Ω] | R _{min} [Ω] | R _{max} [Ω] | ΔR _R /R _R [%] | ΔT[°C] | α (%/K) |
| 55.0 | 878900 | 706410 | 1051400 | 19.6 | 2.8 | 7.1 |
| 50.0 | 617590 | 503900 | 731280 | 18.4 | 2.7 | 6.9 |
| 45.0 | 439340 | 363580 | 515100 | 17.2 | 2.6 | 6.7 |
| 40.0 | 316180 | 265180 | 367180 | 16.1 | 2.5 | 6.5 |
| 35.0 | 230060 | 195410 | 264720 | 15.1 | 2.4 | 6.3 |
| 30.0 | 169150 | 145400 | 192900 | 14.0 | 2.3 | 6.1 |
| 25.0 | 125550 | 109150 | 141940 | 13.1 | 2.2 | 5.9 |
| 20.0 | 94143 | 82738 | 105550 | 12.1 | 2.1 | 5.7 |
| 15.0 | 71172 | 63195 | 79150 | 11.2 | 2.0 | 5.5 |
| 10.0 | 54308 | 48695 | 59922 | 10.3 | 1.9 | 5.4 |
| 5.0 | 41505 | 37563 | 45446 | 9.5 | 1.8 | 5.2 |
| 0.0 | 32014 | 29233 | 34795 | 8.7 | 1.7 | 5.0 |
| 5.0 | 25011 | 23033 | 26988 | 7.9 | 1.6 | 4.9 |
| 10.0 | 19691 | 18282 | 21100 | 7.2 | 1.5 | 4.7 |
| 15.0 | 15618 | 14614 | 16622 | 6.4 | 1.4 | 4.6 |
| 20.0 | 12474 | 11759 | 13188 | 5.7 | 1.3 | 4.5 |
| 25.0 | 10000 | 9500 | 10500 | 5.0 | 1.2 | 4.3 |
| 30.0 | 8080 | 7619 | 8541 | 5.7 | 1.4 | 4.2 |
| 35.0 | 6569 | 6153 | 6985 | 6.3 | 1.6 | 4.1 |
| 40.0 | 5372 | 4998 | 5746 | 7.0 | 1.8 | 4.0 |
| 45.0 | 4424 | 4090 | 4757 | 7.5 | 2.0 | 3.9 |
| 50.0 | 3661 | 3364 | 3958 | 8.1 | 2.2 | 3.8 |
| 55.0 | 3039 | 2775 | 3303 | 8.7 | 2.4 | 3.7 |
| 60.0 | 2536 | 2302 | 2770 | 9.2 | 2.6 | 3.6 |
| 65.0 | 2128 | 1921 | 2336 | 9.8 | 2.8 | 3.5 |
| 70.0 | 1794 | 1610 | 1978 | 10.3 | 3.0 | 3.4 |
| 75.0 | 1518 | 1355 | 1682 | 10.8 | 3.3 | 3.3 |
| 80.0 | 1290 | 1145 | 1435 | 11.2 | 3.5 | 3.2 |
| 85.0 | 1100 | 971.4 | 1229 | 11.7 | 3.7 | 3.1 |
| 90.0 | 941.8 | 827.2 | 1056 | 12.2 | 4.0 | 3.1 |
| 95.0 | 809.0 | 707.0 | 910.9 | 12.6 | 4.2 | 3.0 |
| 100.0 | 697.2 | 606.3 | 788.1 | 13.0 | 4.5 | 2.9 |
| 105.0 | 604.0 | 522.7 | 685.3 | 13.5 | 4.7 | 2.9 |
| 110.0 | 524.9 | 452.1 | 597.7 | 13.9 | 5.0 | 2.8 |
| 115.0 | 457.3 | 392.1 | 522.6 | 14.3 | 5.2 | 2.7 |
| 120.0 | 399.6 | 341.1 | 458.2 | 14.7 | 5.5 | 2.7 |
| 125.0 | 350.6 | 297.9 | 403.3 | 15.0 | 5.8 | 2.6 |